



HAFA S-1IR

Inflatable Shelter Bags

The food industry places stringent demands on loading bay sealing to maintain the integrity of the cold chain. It is mandatory for dock shelters to ensure uninterrupted weather protection the entire the entire loading and unloading process.

Key Features:

- Unlike conventional dock shelters, the Hafa inflatable shelters come with the solution where the vehicle does not push against the shelter. Instead, the shelter inflates around the vehicle, ensuring a complete seal. This design accommodates a wide range of vehicle sizes and offers a sealing capacity that far exceeds the standard requirements typically expected by operators.
- When not in use, the Hafa inflatable shelters retract completely behind the side structures. This allows the vehicle driver to utilize the full width of the loading bay when reversing into it, enhancing maneuverability and ease of use.

The inflatable dock shelters are integrated into a frame construction covered by insulated panels, providing additional insulation benefits. This design not only enhances thermal efficiency but also allows for easy and quick component replacement if necessary.

The side and top inflatable airbags are crafted from impact-resistant material with a robust, woven core. This material is non-flammable, color-stable, and highly resistant to weather conditions, making it ideal for optimal performance in demanding docking environments.

Description

Nominal height	4055, 4355, 4555 mm
Nominal free height	3600, 3900, 4100 mm
Nominal width	3600 mm
Nominal depth	770 mm
Top bag extension	2200 mm
Side bag extension	650 mm
Walls and roof	insulated panel, 42 mm
Standard RAL colors	3000, 5010, 6005, 7016, 7021, 7024, 9002, 9006, 9007, 9010
Fabric quality	PVC coated polyester
Top curtain	650 g/m ² , thickness 0,6 mm
Side bag rear	600 g/m ² , thickness 0,5 mm
Side bag front	2500 g/m ² , thickness 2 mm
Option wear shield	3400 g/m ² , thickness 3 mm
Fan	230 V, 1-phase, 50 Hz, 250 W noise level: 65 dBA in working position
Operating	Switch control included Other controls available as option
Temperature range	-30°C to +60°C



Dimensions

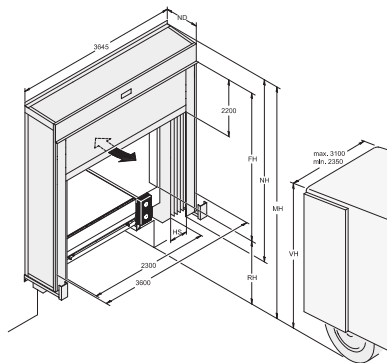
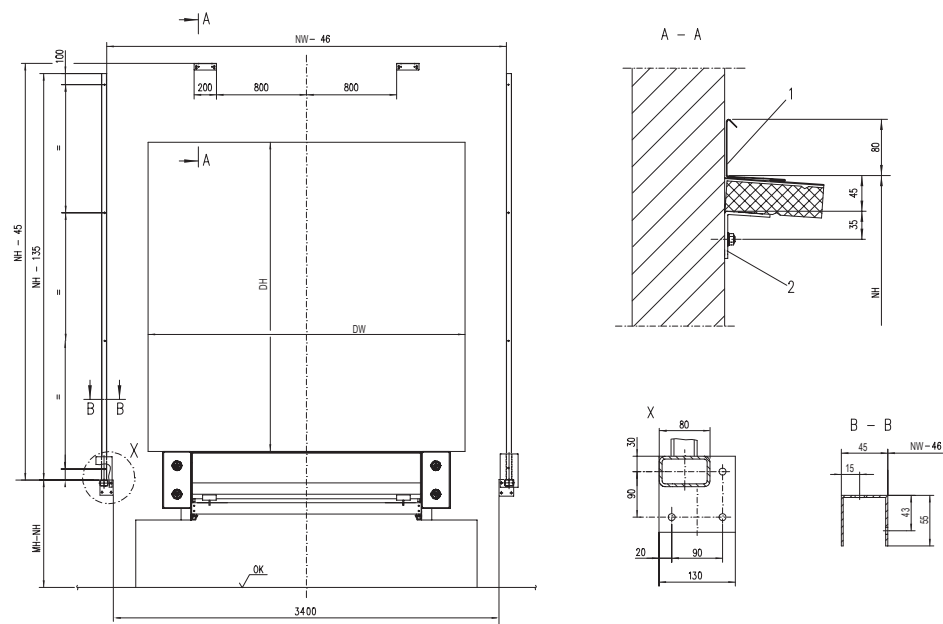


Abb.	Dimension	Value (mm)
NW	Nominal width	3600
NH	Nominal height	4055, 4355, 4555
FH	Free height above level*	3600, 3900, 4100**
OP	Top curtain travel	2200
ND	Nominal depth	770
RH	Dock height	
MH	Installation height	VH+800
VH	Vehicle height	

* depending on MH (installation height)

** maximum sizes

Fixing points



1 Wall mounting profile*

2 Support bracket*

* belongs to the wall fixing